

# Seccua UrSpring Top

## Technical product data sheet

The Seccua UrSpring Top combines the products Seccua UrSpring BeWell and the Seccua BioFilter. The UrSpring Top prevents the penetration of bacteria, viruses, turbidity and rust from the central water supply and thus also the growth of pathogens in the pipes and in the water heater and reduces unwanted substances such as pesticides.



### Our filter solution for your home

Clean drinking water is the basis of our health. The drinking water regulations, with their guidelines, create a good basis. However, water suppliers are under enormous pressure to keep their long, often outdated pipe networks clean. In addition, there is water stagnation, e.g. after a building or areas of a building have not been used for a long time, even after holidays or vacancies, and burst pipes. Here, the Seccua UrSpring Top can ensure optimum drinking water quality throughout the whole house.

### The Seccua Ultrafiltration

Seccua ultrafiltration is based on membrane technology from the medical field of dialysis. Bacteria that often survive conventional disinfection methods such as UV irradiation, chlorine or heat are reduced. This is done through a mechanical filtration process without the use of chemicals.

Germs and contaminants are retained in the membrane phase. They are flushed out from there at regular intervals, which happens completely automatically in the UrSpring Top.

### The Seccua BioFilter

The BioFilter reduces unwanted substances (e.g. pharmaceutical residues, pesticides, hormone-like substances and chlorine) in the water. The filter consists of a housing with a built-in refillable cartridge and two filter bags (AroxBags) containing the filter media AntiCal and AntiTox. Regular replacement of the filter media, which can be easily carried out by the user, ensures consistently high water quality.

### Water treatment without chemicals

With the UrSpring Top, the use of chemicals can be completely dispensed with. The natural balance of the water is maintained. The water contains hardly any free, corrosive carbonic acid, which would attack the piping system. With Seccua filtration, important minerals such as calcium or magnesium remain in the water even after filtration.



### Pure water for your family

The UrSpring Top prevents the penetration of germs, turbidity and rust from the central water supply and thus also the growth of pathogens in the pipes and in the water heater.

With the help of the Seccua UrSpring Top, undesirable substances are reduced from your drinking water, for example:

- Pathogens (e.g. Legionella)
- Turbidity
- Rust discolouration
- Unpleasant taste or odour (e.g. chlorine)
- pesticides, herbicides, insecticides
- drug residues and hormone-like substances
- Plasticisers

### Simple installation

Professional installation of the UrSpring Top can be carried out by our in-house service technician or by your own in-house plumber.

### Contact:

Tel.: +1 (503) 766 5551  
 cs@seccua.com  
 us.seccua.com

### Manufacturer:

Seccua GmbH  
 Dr.-Karl-Slevogt-Straße 3  
 82362 Weilheim  
 Germany

# Seccua Urspring Top

## Technical Data



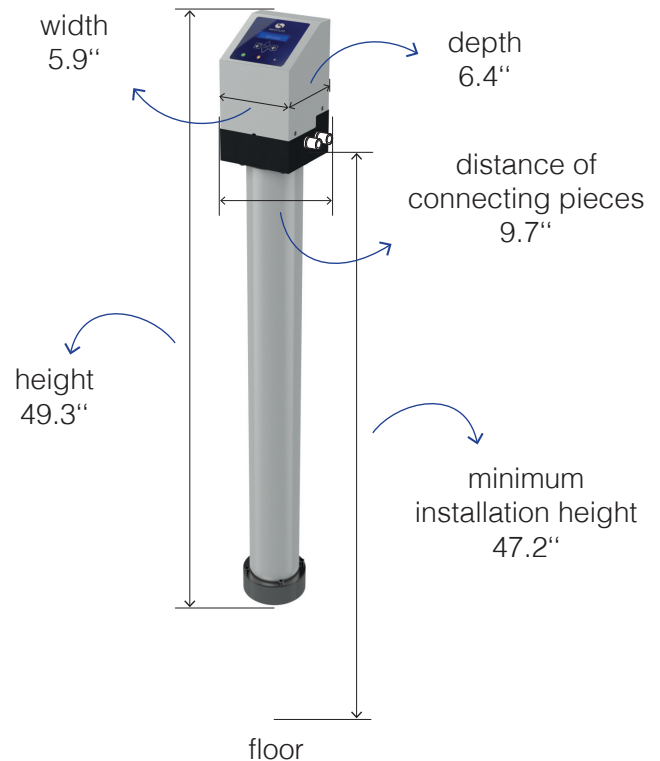
Dimensions and weight	UrSpring BeWell	BioFilter
Height	49.3" (1254 mm)	39.8" (1010 mm)
Width	5.9" (150 mm)	8.7" (220 mm) (diameter)
Depth	6.4" (162 mm)	-
Distance between connection pipes	9.7" (246 mm)	-
Minimum installation height (distance floor - mounting hole)	47.2" (1200 mm)	-
Weight (dry)	26 lb (12 kg)	22 lb (10 kg)
Operating weight	35 lb (16 kg)	44 lb (20 kg)

Connections and assembly	UrSpring BeWell	BioFilter
Threaded connection	3/4" female thread for inlet, filtrate and rinsing water	G 1 1/4" AG (PVC), G 3/4" IG (Noryl),
Quick coupling	The UrSpring BeWell is supplied with DN20 quick couplings that can be used with plastic and copper pipe.	two stainless steel versions to choose from: Connection set with pressed-on threaded fitting or connection set and threaded fitting individually
Assembly	Wall-mounted, mounting bracket supplied	Standing upright, connections down, forward

Operating conditions	UrSpring BeWell	BioFilter
Max. operating pressure	72 psi (5 bar)	145 psi (10 bar)
Max. water temperature	104 °F (40 °C)	86 °F (max. 104 °F) / 30 °C (max. 40 °C)
Min. water temperature	39.3 °F (4 °C)	39.3 °F (4 °C)
Max. permissible differential pressure across the filter	36 psi (2,5 bar)	-

Filtration capacity <sup>1</sup>	UrSpring BeWell	BioFilter
Continuous flow	3.9 gpm (15 l/min)	2.6 gpm (10 l/min)
Peak flow	11.1 gpm (42 l/min)	7.9 gpm (30 l/min)

<sup>1</sup> Depending on the local water quality. Use with well water and critical city water: Due to increased turbidity, the installation of a prefilter with a retention rate of 1-5 microns is recommended. Free advice under +1 (503) 766 5551



### Contact:

Tel.: +1 (503) 766 5551  
 cs@seccua.com  
 us.seccua.com

### Manufacturer:

Seccua GmbH  
 Dr.-Karl-Slevogt-Straße 3  
 82362 Weilheim  
 Germany

# Seccua UrSpring Top

## Technical Data



Medium and replacement	BioFilter
AroxBag AntiTox	Activated carbon from Coconut shells
Replacement	300,000 litres filtration volume per filter bag or after 2 years at the latest

Retention	UrSpring BeWell
Viruses	up to 99,99 %
Bacteria / parasites and other microorganisms	99,99999 %
Turbidity and particles	below visibility limit (<0.15 NTU)

Filtration and cleaning	UrSpring BeWell
Filtration	100 % of the feed is filtered, no continuous flushing water consumption
Cleaning	Cleaning is fully automatic as part of a set rinse cycle.
Replacement	Depending on the local water quality, the filter should be changed regularly, but after 3 years at the latest.

Approvals and standards	UrSpring Top
Material	All materials used that come into contact with water comply with the material regulations for this area of use (NSF 61, FDA or KTW).
Electronics	The unit is splash-proof (IP67) and can be installed in wet rooms. It complies with the required national standards and directives.

**Contact:**

Tel.: +1 (503) 766 5551  
 cs@seccua.com  
 us.seccua.com

**Manufacturer:**

Seccua GmbH  
 Dr.-Karl-Slevogt-Straße 3  
 82362 Weilheim  
 Germany